

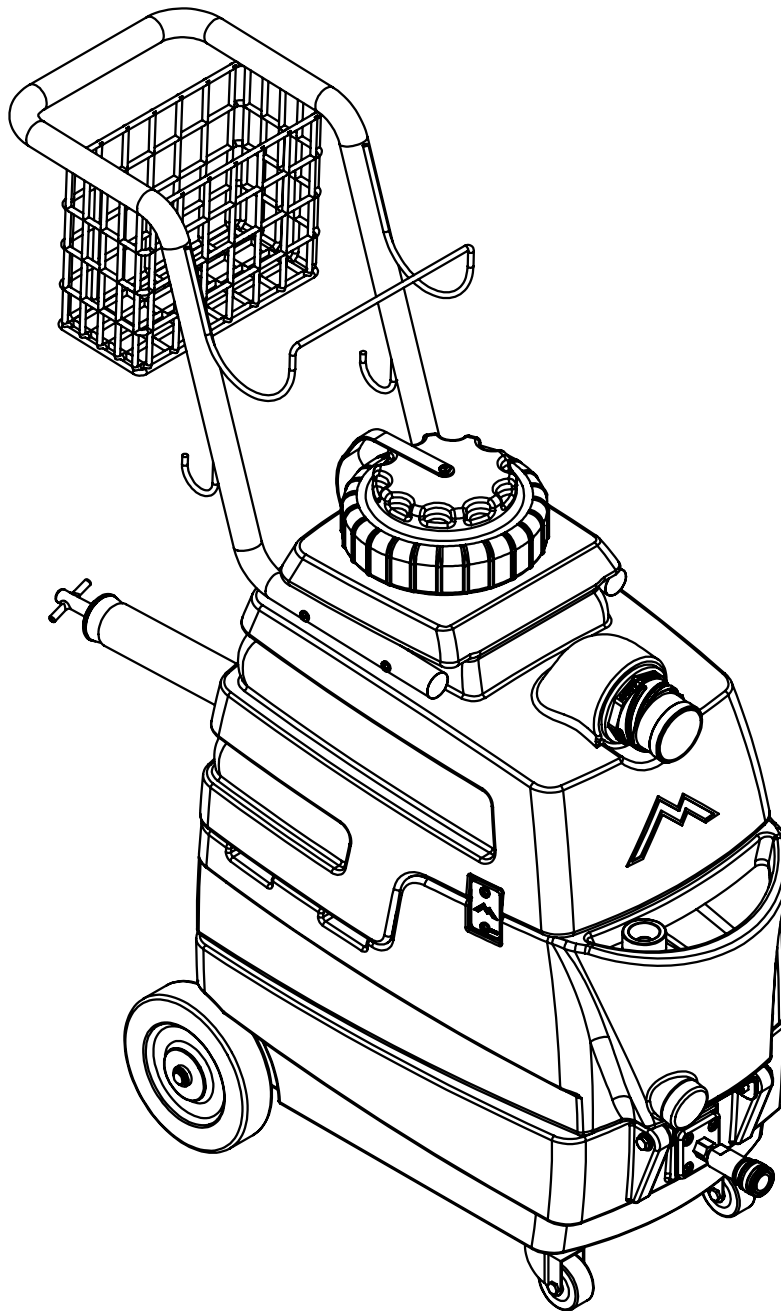
# Instructions for 8070 Mytee Lite™



Please read before use.



Register your product  
at [http://www.mytee.com/  
support/register](http://www.mytee.com/support/register)



[General information p. 2](#)

[Set up p. 5](#)

[Parts & pricing p. 9](#)

[Wiring diagram p. 11](#)

[Notes p. 12](#)

Model # \_\_\_\_\_

Serial # \_\_\_\_\_

Form # ADP-8070

05-16

# GENERAL INFORMATION

## Dear Customer:

Congratulations on the purchase of your new 8070 Mytee Lite™. As you are already aware, the scene of the equipment world is becoming more high tech, and we at Mytee Products Inc. strive to keep you on the cutting edge with superior quality and technology.

Keep in mind that the 8070 Mytee Lite™ is a machine, so neglect or abuse will cause unnecessary damage and void the warranty. However with simple maintenance the 8070 will give quality performance for many years to come.

If warranty questions arise, please consult your user manual or get in touch with your distributor. If you have questions about maintenance, replacing parts or ordering parts, please call an authorized Mytee Products Inc. Service Center. To see an updated list, visit our website at [www.mytee.com](http://www.mytee.com)

Before you begin cleaning, please read your manual thoroughly.

Sincerely,  
Mytee Customer Care Dept.

## Grounding Instructions

This machine must be grounded. If it should malfunction or breakdown, grounding provides a path of least resistance for electrical shock. This machine is equipped with a cord having an equipment-grounding conductor and grounding plug. The plug must be plugged into an appropriate outlet that is properly installed in accordance with all local code and ordinances. Do not remove ground pin; if missing, replace plug before use.



### DANGER

Improper connection of the equipment-grounding conductor can result in a risk of electric shock. Check with a qualified electrician or service person if you are in doubt as to whether the outlet is properly grounded. Do not modify the plug provided with the machine. If it will not fit the outlet, have a proper outlet installed by a qualified electrician.

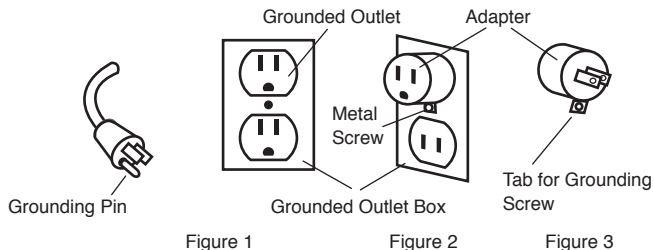
This appliance is for use on a nominal 120-volt circuit, and has a grounding plug that looks like the plug illustrated in Figure 1 below. A temporary adapter illustrated in Figures 2 and 3 may be used to connect this plug to a 2-pole receptacle as shown in Figure 2 if a properly grounded outlet is not available. The temporary adapter should be used only until a properly grounded outlet (Figure 1) can be installed by a qualified electrician. The green colored rigid ear, tab or the like extending from the adapter must be connected to a permanent ground such as a properly grounded outlet box cover. Whenever the adapter is used, it must be held in place by a metal screw. Grounding adapters are not approved for use in Canada.

Replace the plug if the grounding pin is damaged or broken.

The Green (or GreenYellow) wire in the cord is the grounding wire. When replacing a plug, this wire must be attached to the grounding pin only.

DO NOT use extension cords.

### Please Note for America use only



## Parts and Service

Repairs, when required, should be performed by Mytee service personnel or Mytee authorized Service Center using Mytee original replacement parts and accessories. Call Mytee for repair parts or service. Please specify the Model and Serial Number when discussing your machine.

## Name Plate

The Model and Serial Number of your machine are shown on the Nameplate on the back panel of the machine. This information is needed when ordering repair parts for the machine. Use the space provided on the front cover to note the Model and Serial Number of your machine for future reference.

## Unpacking the Machine

When the machine is delivered, carefully inspect the shipping carton and the machine for damage. If damage is evident, save the shipping carton so that it can be inspected by the carrier that delivered it. Contact the carrier immediately to file a freight damage claim.

## Caution and Warnings

### Symbols

Mytee uses the symbols below to signal potentially dangerous conditions. Always read this information carefully and take the necessary steps to protect personnel and property.



### DANGER

Is used to warn of immediate hazards that will cause severe personal injury or death.



### WARNING

Is used to call attention to a situation that could cause severe personal injury.



### CAUTION

Is used to call attention to a situation that could cause minor personal injury or damage to the machine or other property. When using an electrical appliance, basic precautions should always be followed, including the following: Read all instructions before using this machine. This product is intended for commercial use only.



### WARNING

To reduce the risk of fire, electrical shock, or injury:

1. Read all instructions before using equipment.
2. Use only as described in this manual. Use only manufacturer's recommended attachments.
3. Always unplug power cord from electrical outlet before attempting any adjustments or repairs.
4. Do not unplug by pulling on cord. To unplug, grasp the plug, not the cord.
5. Do not pull or carry by cord. Do not close a door on cord or pull cord around sharp edges or corners.
6. Do not run appliance over cord. Keep cord away from heated surfaces.
7. Do not use with damaged cord or plug. If cord is damaged, repair immediately.
8. Do not use outdoors or on wet surfaces and or standing water.
9. Always unplug or disconnect the appliance from power supply when not in use.
10. Do not allow to be used as a toy. Close attention is necessary when used by or near children.
11. Do not use in areas where flammable or combustible material may be present.
12. Do not leave the unit exposed to harsh weather elements. Temperatures below freezing may damage components and void warranty.
13. Use only the appropriate handles to move and lift unit. Do not use any other parts of this machine for this purpose.
14. Keep hair, loose clothing, fingers, and all parts of the body away from all openings and moving parts.
15. Use extra care when cleaning on stairs.
16. To reduce the risk of fire or electric shock, do not use this machine with a solid-state speed control device.
17. The voltage and frequency indicated on the name plate must correspond to the wall receptacle supply voltage.
18. When cleaning and servicing the machine, local or national regulations may apply to the safe disposal of liquids which may contain: chemicals, grease, oil, acid, alkalines, or other dangerous liquids.
19. Do not leave operating unattended.

## Filling the Solution Tank

1. Fill the solution tank with the approved cleaning solution.
2. Do not fill up the solution tank completely: 1" should be left free at the top.
3. Typically, the solution should be a mixture of water and a cleaning chemical appropriate for the type of job.
4. Always follow the dilution instructions on the chemical container label.
5. The temperature of the cleaning solution must not exceed 70°C/160°F.



### CAUTION

Use only non-flammable liquid in this machine.

## Setup

1. Fill solution tank with water or approved cleaning agent. For best results, fill with warm water (140°). Replace vacuum tank.



### WARNING

Flammable materials can cause an explosion or fire. Do not use flammable solutions or materials in tank(s).

FOR SAFETY: When using machine, follow mixing and handling instructions on chemical containers.

ATTENTION: If using powdered cleaning chemicals, mix prior to adding.

2. Attach solution hose (located front of machine). NOTE: Make sure the quick disconnect snap together firmly. As you do this, always inspect hoses for cracks or fraying. Do not use if hoses are damaged.
3. Attach other end of solution hose to cleaning tool.
4. Attach vacuum hose to recovery tank.
5. Plug machine's cord into a grounded wall outlet. FOR SAFETY: Do not operate machine unless cord is properly grounded. FOR SAFETY: Do not operate machine with the use of an extension cord.
6. Turn on pump. Pull trigger on tool until you have a steady flow.
7. Release tool trigger. Turn on heater.
8. Wait 5–7 minutes for unit to pre-heat.
9. Pull trigger on tool until hot water begins flowing.
10. Turn on vacuum motor.
11. Begin cleaning. Make two dry passes to every wet pass.
12. For floor cleaning, unplug tool and attach floor wand.
13. Work away from cords to avoid damage.
14. Use a defoamer in your recovery tank.
15. To clean heavily soiled areas, repeat cleaning from different directions.
16. When vacuum tank is full, empty tanks.
17. When work is complete, unplug cords and hoses.
18. Wrap and clean hoses. Clean all tanks.

## Pre-Operation

1. Vacuum carpet and upholstery and remove other debris.
2. Perform machine setup procedures.
3. Inspect power cord for damage.

## Operation

1. Turn pump switch on.
2. Pull up on tool lever to release air in the line. Hold lever until a steady flow of water comes out of the wand.
3. Once pump is primed and there is pressure in the solution line, turn on heater switch (if model is equipped with heater) and wait a few minutes for water to heat up.
4. Once water is heated, turn on vacuum and begin cleaning.

Note: When cleaning upholstery, always check manufacturer's cleaning instructions.



### CAUTION

1. Work away from outlet and power cord to prevent cord damage.
2. Use a recommended foam control solution in the recovery tank to prevent vacuum motor damage. Periodically check for excessive foam buildup in solution tank, and recovery tank.
3. To clean heavily soiled areas, repeat cleaning path from different direction.
4. When vacuum tank is full, it is time to empty the dirty water from the recovery tank, and refill solution tank.
5. After cleaning, relieve water pressure from tool before disconnecting hose. Squeeze trigger for five seconds after turning main power switch off.

## After Use

1. Unplug.
2. Empty solution tank and rinse it with clean water.
3. Inspect hoses and replace if damaged.
4. Attach 45° drain elbow to dump valve and lift up drain valve lever to empty recovery tank.
5. Inspect solution filter. Clean or replace if damaged.
6. Store the machine in a clean, dry place.
7. Open recovery tank cover to promote air circulation.
8. Do not expose to rain. Store indoors.

## Maintenance Schedule

Maintenance item	Daily	Once a week
Clean and inspect Tanks	x	
Clean and inspect Hoses	x	
Check power supply cable	x	
Clean machine with all purpose cleaner and cloth	x	
Check spray nozzles		x
Flush solution system with Mytee system maintainer		x
Remove and clean float shut-off screen from tank		x
Inspect vacuum hoses for holes and loose cuffs		x
Inspect machine for water leaks and loose hardware		x

## Trouble Shooting

### There is no power.

1. Plug machine in proper outlet.
2. Check circuit breaker; reset circuit breaker, other items should not run on the same circuit as machine. Outlet must be a 20-amp circuit.

### Pump does not work properly.

1. Snap quick disconnects firmly together.
2. Check solution tank; may be empty.
3. Jets clogged, remove jet and flush clean.
4. Filters clogged, remove filters and rinse clean with water.
5. Heater is blocked; flush out with Mytee's system maintainer.
6. If brass check valve is stuck replace valve.
7. Check pump wire. May need to reconnect wire.
8. Switch plate switch may need to be replaced.
9. If pump motor brushes are worn, replace pump.

### Heater does not work properly.

1. If sensor mounted on the heater has popped, reset sensor by pushing in button.
2. Heating element may need to be replaced.

### Vacuum motor does not work properly.

1. Check that hose is tightly connected.
2. Close drain hose valve completely.
3. Check and clean foam filter located in recovery tank.
4. If water is coming out of vacuum motor, use a low foaming detergent.
5. Clean upholstery tool or floor wand jets.

## Accessories (optional)

3601 System Maintainer  
 8400DX Mytee Dry™ Upholstery Tool  
 8390-EZ-C Cleaning Wand  
 8700 Crevice Tool

## FAQs

### Q: How much does the 8070 weigh and what are the dimensions?

A: 43 Pounds - Dimensions are w/handle: 33" x 12 3/4" x 37",  
 w/o handle: 21 1/2" x 12 3/4" x 28 1/2".

Shipping weight is 72.5 lbs. and shipping dimensions are 31 3/4" x 17 1/4" x 41 3/4"

### Q: What comes standard with the 8070?

A: The 8070 comes with 15' 1-1/4" Hose-n-Hose™ Vacuum/ Internal Solution Hose Combo (8501), a 4" Stainless Steel Upholstery Tool (8400), Cuff-Lynx™ H122, and a drain hose (A110).

### Q: Does Mytee recommend a tool for the machine?

A: A variety of tools can be used with the unit, including our 8390 wand, 8700 crevice tool, 8400 upholstery tool, and 8400DX Mytee Dry™ upholstery tool.

### Q: Where do I plug the machine in?

A: The 8070 requires a 20A grounded circuit. Please note: GFI outlets may trip before the breaker setting.

### Q: What is the proper pre heat cycle for the 8070?

A: Turn pump switch to the on position and prime pump through the solution hose and the tool. Then turn the heater switch to the on position. Let the machine sit idle for 5-7 minutes. Spray tool until you feel the hot water from the jet.

### Q: Are the pumps re-buildable for the 8070?

A: Yes, both the seals and the pistons have repair kits available. Please see the pump manual that shipped with your machine for the maintenance schedule.

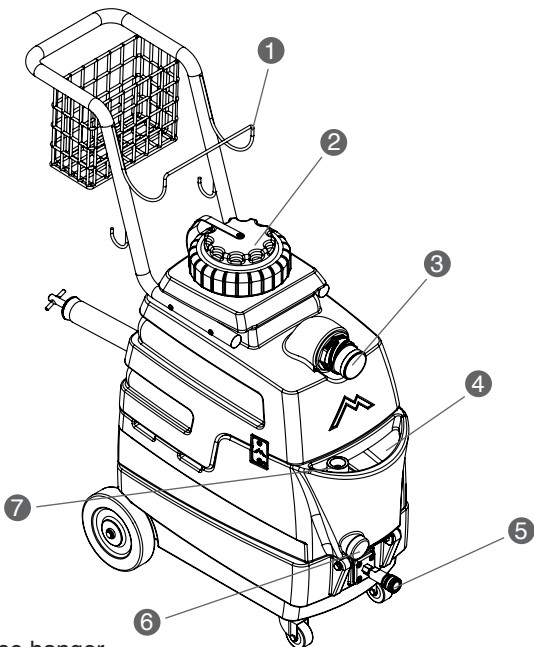
## GENERAL INFORMATION

---

**Q: Is there anything I can do to increase the expected life of my machine?**

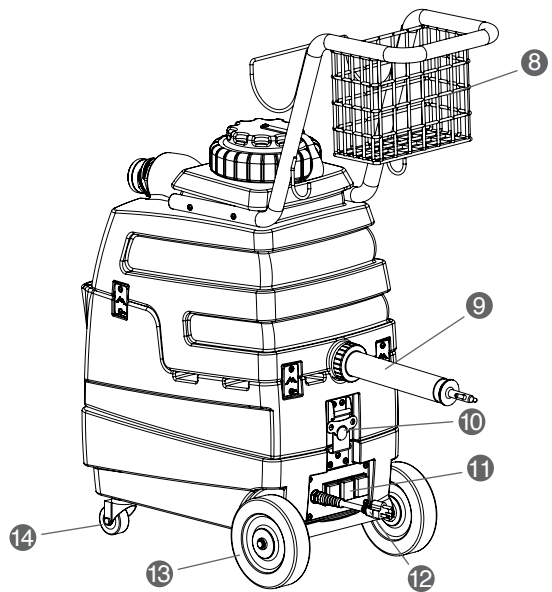
A: Running the vacuum motors with the tank empty and lid off will allow excess moisture in the vacs to dry off. You should also run a System Maintainer through the system to keep the hoses, pump, and heater clean and free of debris.

FRONT



- 1. Hose hanger
- 2. Recovery tank lid
- 3. Cuff-Lynx™ vacuum hose connector
- 4. Open fill for solution tank
- 5. Solution hose connector
- 6. Solution tank drain
- 7. Solution tank faucet fill

BACK



- 8. Basket
- 9. Recovery tank drain hose
- 10. Service latch
- 11. Switch plate
- 12. 25' single power cord
- 13. 6" wheels
- 14. 2" casters

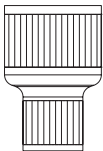
ACCESSORIES



8400-4" Stainless Steel Upholstery Tool



8501-15' 1-1/4" Hose-n-Hose™ Vacuum/Solution Hose

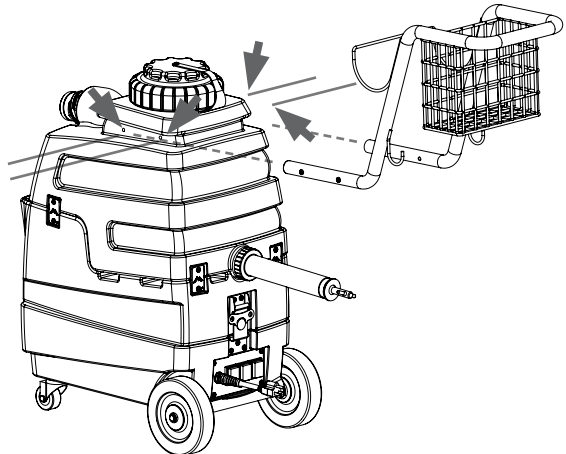


H122 Cuff-Lynx™ - 2" Female Reducer



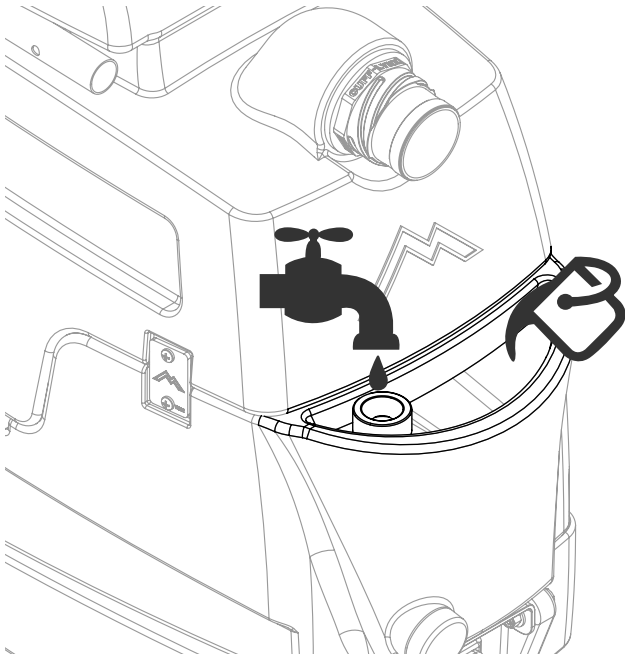
A110 Drain Hose

CONNECTING THE HANDLE



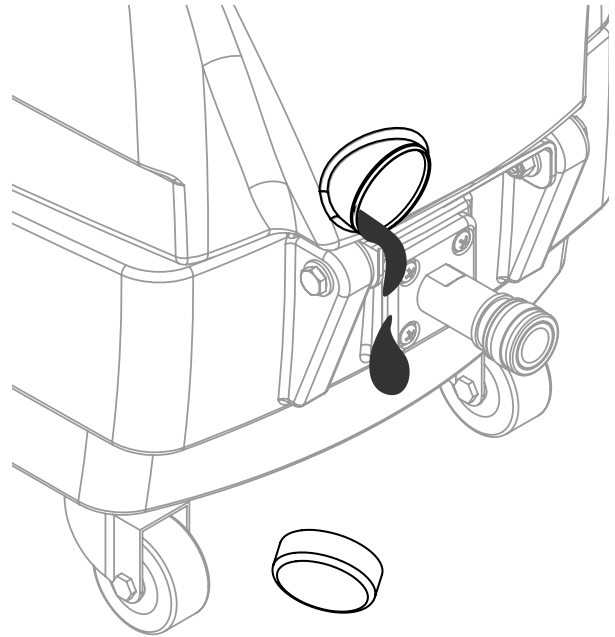
In the rear of the machine, with handle/basket facing outward, line up the four inserts on the handle with the four inserts on the machine, located on the top sides of the recovery tank. When installing the handle on your new Mytee Lite™, make sure you use a hand tool (screwdriver) for the screws and NOT a power tool. This will insure you do not strip the hole and puncture the recovery tank.

## FILL SOLUTION TANK



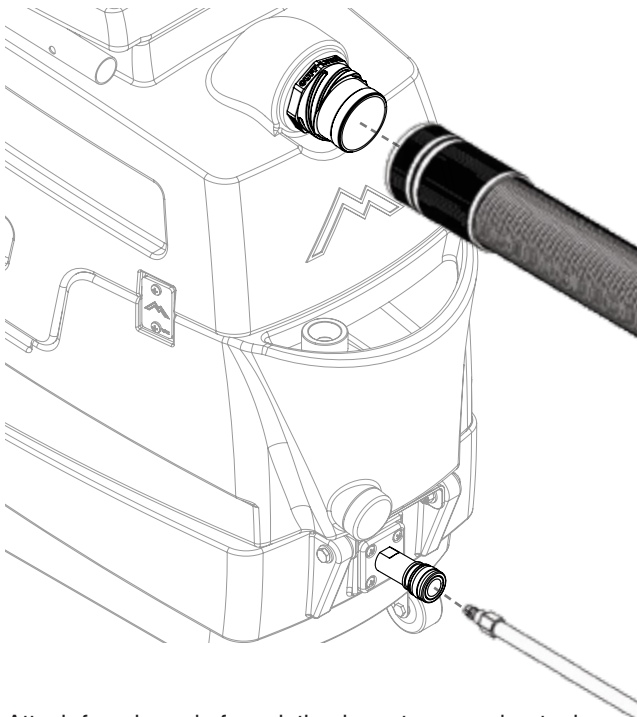
To fill the solution tank, use a bucket to pour water into the tank's opening located at the front of the unit. You can also use the easy faucet fill also located at the front of the unit. For best results, fill with warm water (140° F).

## EMPTY SOLUTION TANK



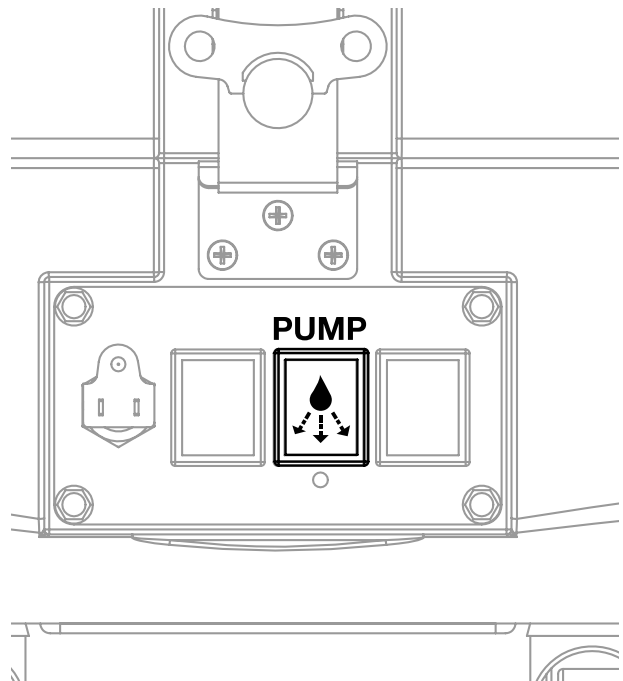
To empty any remaining water in the solution tank, remove cap which is located at the front of the solution tank.

## ATTACH HOSES



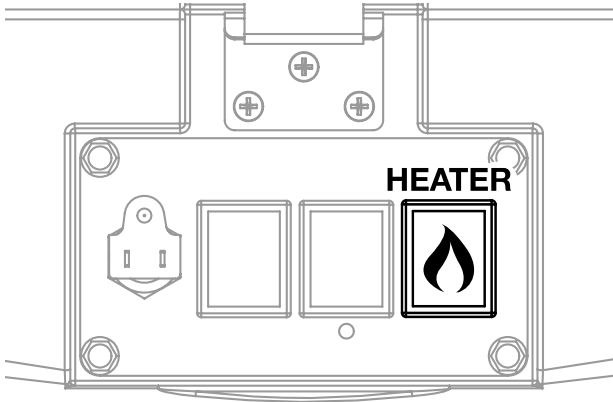
Attach female end of a solution hose to a wand or tool and the male end to the Mytee Lite's™ QD. Then connect a vacuum hose to a wand and the male Cuff-Lynx™ hose port.

## PUMP SWITCH



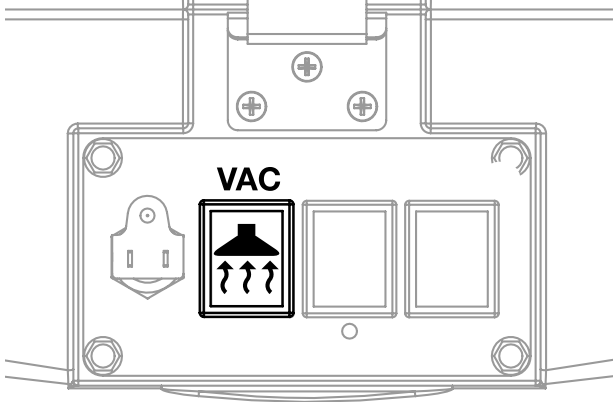
After the machine has been plugged into a 20 amp grounded outlet, turn on pump. Pull trigger on cleaning tool until tool releases a steady flow.

**HEATER SWITCH**



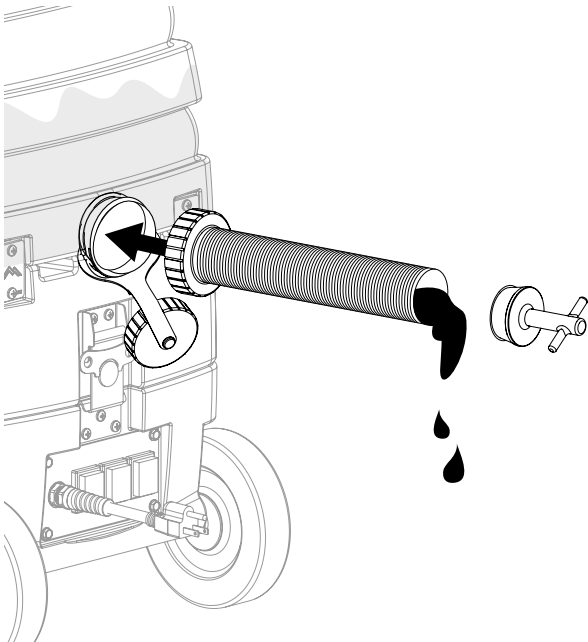
Release tool trigger. Turn on heater. Wait 5 – 7 minutes for unit to pre-heat. Once heated, pull trigger on tool until hot water begins flowing.

**VACUUM SWITCH**



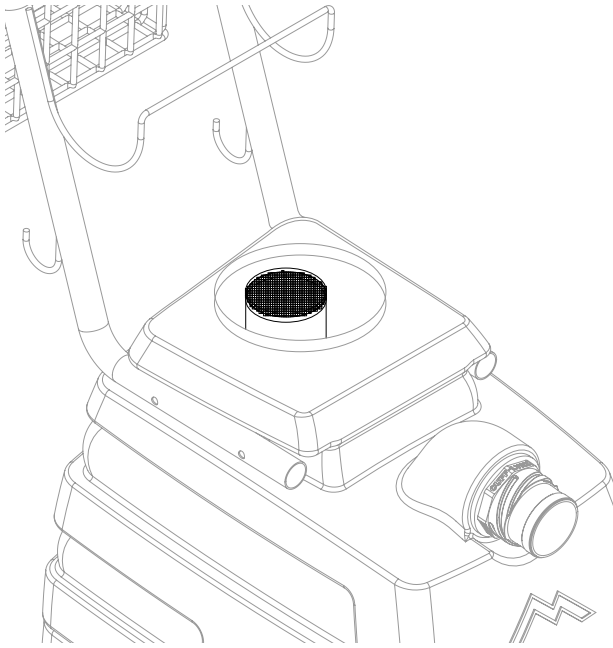
Turn on vacuum motor and begin cleaning. For best results make two dry passes for every wet pass.

**RECOVERY TANK DRAIN**



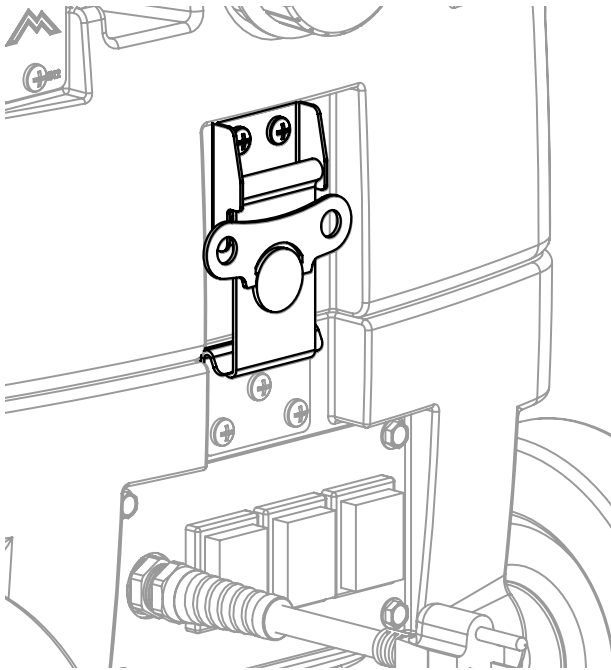
Located at the rear of the Mytee Lite™ is a bucket high drain valve. Before extracting, screw on the included A110 drain hose. When you're finished extracting, unscrew the T-handle cap on the hose to drain the tank.

**VACUUM STACK FILTER**



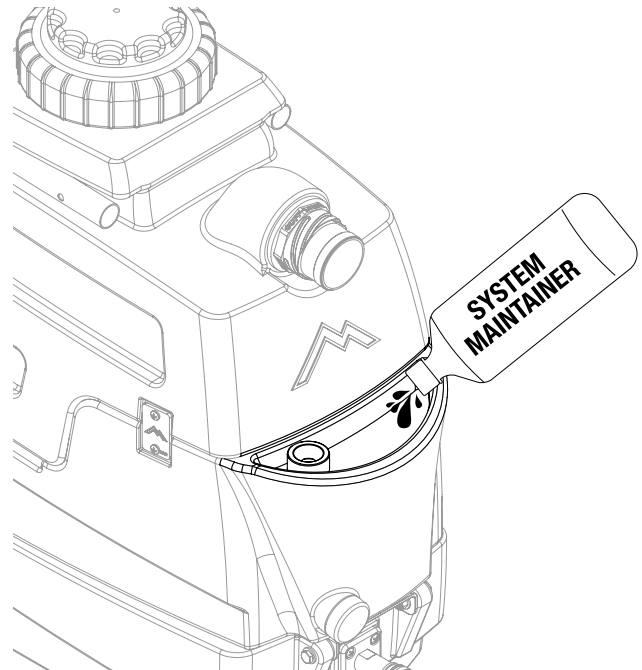
The Mytee Lite's™ internal filter must be cleaned regularly and is located in the recovery tank. Twist the filter to remove then clean and replace. If the filter is torn or damaged, replace with a new one.

## SERVICE LATCH



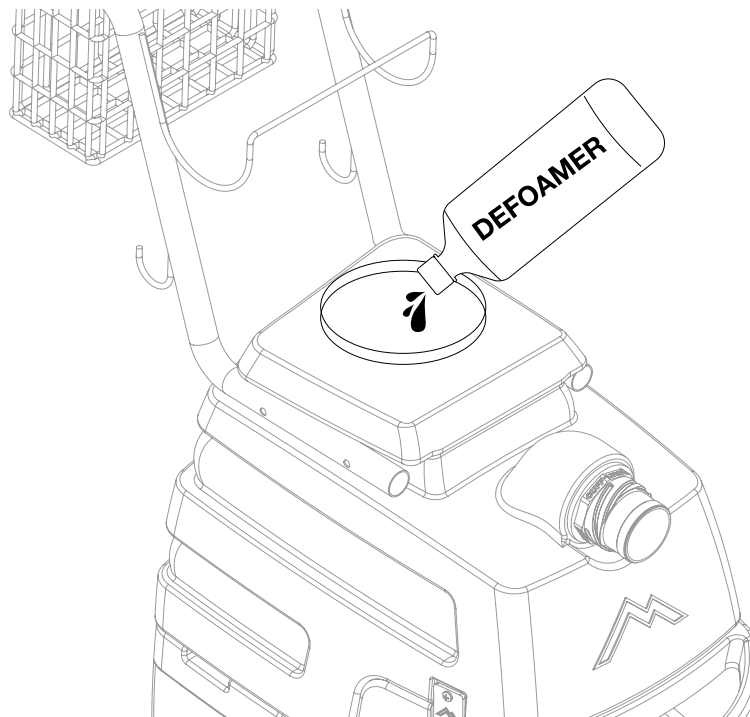
To open lower housing flip-up latch that is located in the back of the unit. Twist counter clockwise for release. To close unit, place latch, twist clockwise and press latch to secure.

## SYSTEM MAINTAINER



Weekly flushing of the solution system with Mytee® System Maintainer helps keep lines clean and prevents chemical build-up, improving pump life, performance and pressure.

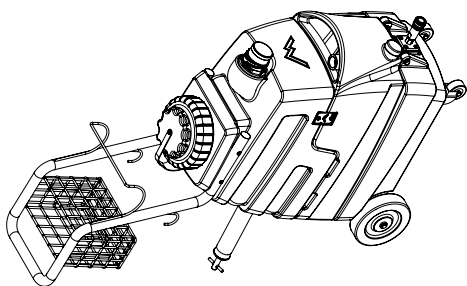
## DEFOAMER



Add defoamer in the recovery tank to reduce foam, prolonging the life of the Mytee Lite™ vacuum motor.



NAME	DATE	MYTEE PRODUCTS, INC.
DRAWN	1/28/14	REV
CHECKED		<b>C</b>
CONTR.		<b>F</b>
TITLE		8070
PROJECT AND COMMENTS		SCALE: 1:24
THE INFORMATION CONTAINED HEREIN IS THE PROPERTY OF MYTEE PRODUCTS, INC. AND IS TO BE USED ONLY FOR THE PURPOSES FOR WHICH IT WAS PROVIDED. NO OTHER REPRODUCTION OR TRANSMISSION IS PERMITTED WITHOUT THE WRITTEN PERMISSION OF MYTEE PRODUCTS, INC.		SHEET 1 OF 3



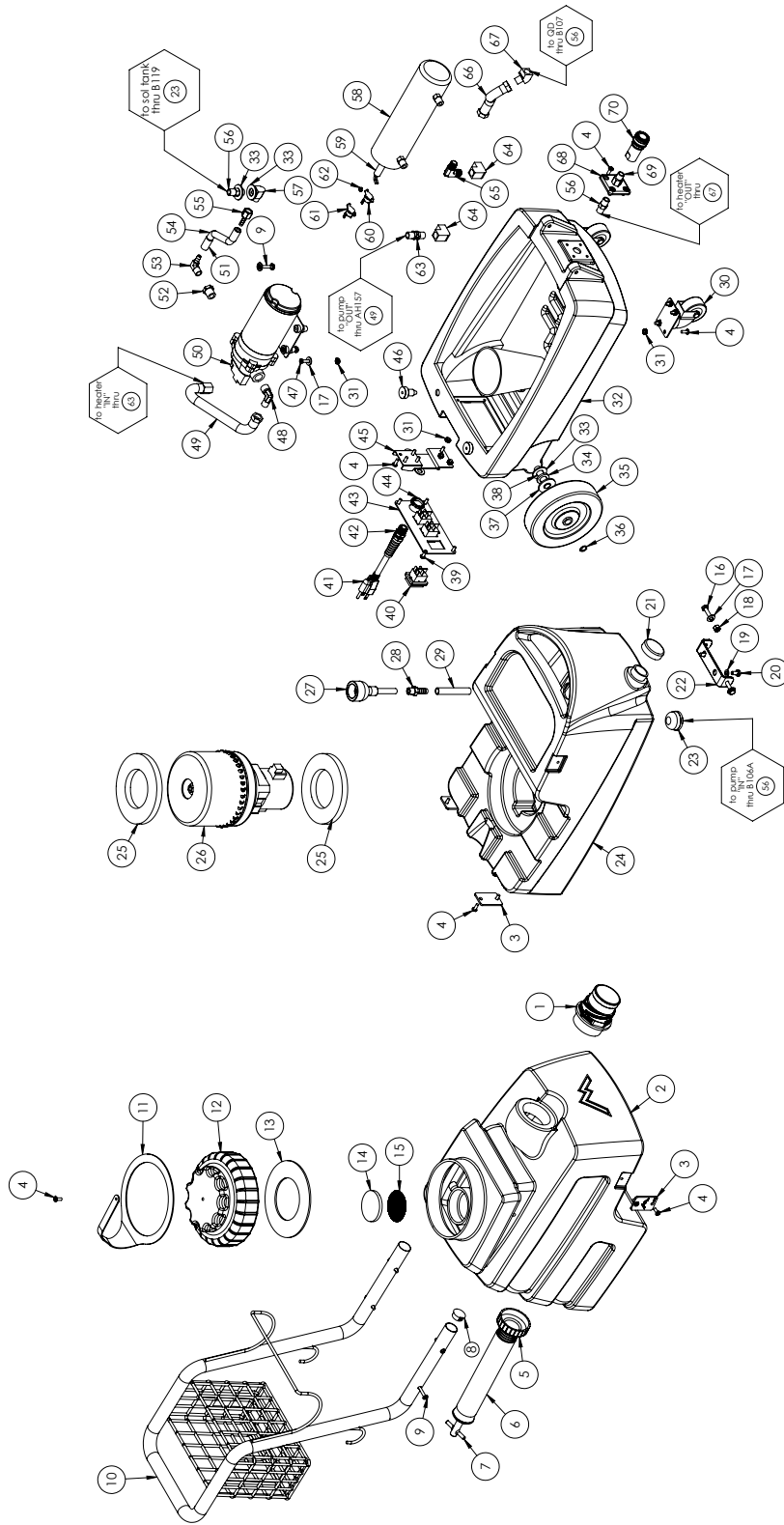
ITEM NO.	PART NO.	DESCRIPTION	QTY.	MSRP
57	B103	elbow, brass, 90 deg. 1/4" mpt x 1/4" fpt	1	\$4.49 ea
58	H903A	heater, aluminum cast, single	1	\$78.99 ea
59	E519	heating rod, 1000W, 115V	1	\$51.99 ea
60	E573	Thermostat, 200°, Auto, 1/4"	1	\$16.49 ea
61	E574	Thermostat, 310°F ± 10°F, Manual, 1/4"	1	\$17.99 ea
62	H274	screw, 6 x 3/16, phill pan head, self-tapping	5	\$0.99 ea
63	B108	valve, brass, 1/4" check	1	\$13.99 ea
64	B207	elbow, brass, 90 deg. 1/4" fpt x 1/4" fpt	2	\$5.99 ea
65	B136	elbow, brass, 90 deg. 1/4" mpt x 1/4" mpt	1	\$4.99 ea
66	AH184	hose, pulse, 3/8" x 1/4-1/2" (OAL), f	1	\$27.99 ea
67	B130	45 deg. street elbow, brass, 1/4" male	1	\$5.49 ea
68	H484	plate, mounting, QD	1	\$4.99 ea
69	B111	adapter, brass, extender, 1/4" mpt x 1/4" fpt, hex	1	\$3.49 ea
70	B102	qd, brass, 1/4" f x 1/4" fpt	1	\$17.99 ea

**ITEMS NOT SHOWN**

PART NO.	DESCRIPTION	QTY.	MSRP
A977	harness, electrical	1	\$47.99 ea
B101	quick disconnect, male, 1/4" male x 1/4" fpt	2	\$8.49 ea
B102	quick disconnect, 1/4" female x 1/4" fpt	1	\$17.49 ea
B104	bushing, hex, 1/4" mpt x 1/8" fpt	1	\$1.99 ea
AH136	sol hose, 1/5" x 15', 1/8 mpt x 1/4 mpt	1	\$44.99 ea
G036	cap, 2.5" threaded, leathered	1	\$3.99 ea
G079	hose wrap, heat guard	1	\$2.99 ea
A935	sol hose, pigtail, 1/8 x 7 1/2	1	\$14.99 ea
H701	hose, vac, 15' x 1-1/4" w/ 1 1/2 black cuffs	1	\$43.99 ea
H282	tool, upholstery w/valve	1	\$98.99 ea
H122	Cuff-Lynx, 1.25" hose cuff x 2" female cuff	1	\$3.99 ea
H133	Cuff-Lynx, 1-1/4" hose x male & female	2	\$9.99 ea
P590	cuffies, 1/4" qd, standard pack of 2	1	\$2.99 ea
ADM-8070	manaul, Mytee-Lite	1	

ITEM NO.	PART NO.	DESCRIPTION	QTY.	MSRP
1	H135	Cuff-Lynx, 2" m cuff x 2" mpt	1	\$3.99 ea
2	P583	vac tank, MyteeLite	1	\$159.99 ea
3	H312	plate, connecting, MyteeLite	4	\$6.99 ea
4	H230	screw, 10-32 x 1/2" phill pan head, s/s	28	\$0.99 ea
5	G103	cap, 2.5" threaded, w barb	1	\$4.99 ea
6	H303	hose, drain, 1/4"	1	\$15.99 ea
7	H350	drain, hose plug, 1-1/2"	1	\$9.99 ea
8	H423	plug, 7/8", black, heycoc	2	\$0.99 ea
9	H222	screw, 10-32 x 1-1/4" phill pan head, s/s	6	\$0.99 ea
10	H688-A	handle, MyteeLite	1	\$65.99 ea
11	G055	leather, cap, 6 1/2"	1	\$12.99 ea
12	P560	cap, 6", threaded	1	\$23.99 ea
13	G031	gasket, 3.25" i.d. x 5.88" o.d.	1	\$6.99 ea
14	G022	filler, foam, 2-3/8" x 1"	1	\$2.99 ea
15	G021	screen, mesh filter, 2-3/8" dia	1	\$4.99 ea
16	H203	ball, 1/4-20 x 1-1/4", hex head, s/s	2	\$0.99 ea
17	H210	washer, 1/4" flat, s/s	6	\$0.99 ea
18	H216	nut, lock, 1/4-20, nylon insert, s/s	2	\$0.99 ea
19	H213	washer, 1/4" lock, s/s	2	\$0.99 ea
20	H201	ball, 1/4-20 x 1/2" hex head, zinc	2	\$0.99 ea
21	H646B	cap, gallon jug, 1-5/8"	1	\$0.99 ea
22	H379	bracket, front, small	1	\$3.99 ea
23	B119	filter, strainer, 1/4"	1	\$3.99 ea
24	P584	sol tank, MyteeLite	1	\$149.99 ea
25	G004	gasket, vacuum motor	2	\$8.99 ea
26	C302P	vac motor, 3 stage	1	\$148.99 ea
27	H178	faucet fill	1	\$10.99 ea
28	B241	adapter, brass, 3/8" barb x 1/4" mpt	1	\$1.99 ea
29	PH612-60	clear tubing, 1/2" OD x 3/8" ID, faucet fill	1	\$1.99 ft
30	H681	cosler, 2", black hub, gray head	2	\$8.99 ea
31	H273	nut, kep, #10-32 zinc	15	\$0.99 ea
32	P585	base, MyteeLite	1	\$89.99 ea
33	H212	flat washer, 9/16" ID x 1 1/16" OD, AN960-C916	4	\$0.99 ea
34	H427	washer, wave, axle	2	\$1.49 ea
35	H279	wheel, 6"	2	\$25.99 ea
36	H042	c-clip, 12mm, external	2	\$0.99 ea
37	H254	washer, axle, cut 1/2" id	2	\$0.99 ea
38	H241	axle, 13.63" x .50" dia	1	\$15.99 ea
39	H029	plastite screw, 10 x 1/2"	4	\$0.99 ea
40	E515	switch, rocker, 2 position	3	\$13.99 ea
41	E531	power cord, end, 25', 12/3 black	1	\$52.99 ea
42	H445	fitting, strain relief, w/ spring, 1/2" mpt	1	\$8.99 ea
43	H310	plate, switch, MyteeLite, 3 hole	1	\$6.99 ea
44	H221	nut, lock, 1/2" steel	1	\$1.99 ea
45	H486	latch, front	1	\$13.99 ea
46	G068	bumper, 7/8" x 1/4" head	2	\$1.99 ea
47	H256	screw, 10-32 x 3/4" phill pan head, zinc	2	\$0.99 ea
48	B652	elbow, brass, 90 deg, 3/8" mpt x 1/4" mpt	1	\$8.49 ea
49	AH157	hose, 3/8" x 9" (OAL), f x fsw	1	\$25.99 ea
50	C305	pump, 120 psi, 115V	1	\$151.99 ea
51	B170	ferrule, 1/4", brass	2	\$0.99 ea
52	B105	bushing, brass, 3/8" mpt x 1/4"	1	\$3.19 ea
53	B152	elbow, brass, 90 deg, 1/4" barb x 1/4" mpt	1	\$5.49 ea
54	PH634-13	sol hose, 1/4" silicone braided, clear	1	\$6.49 ft
55	B110	adapter, brass, 1/4" sw barb x 1/4" fpt, w/gasket	1	\$3.99 ea
56	B107	nipple, brass, 1/4" m, hex	2	\$3.19 ea

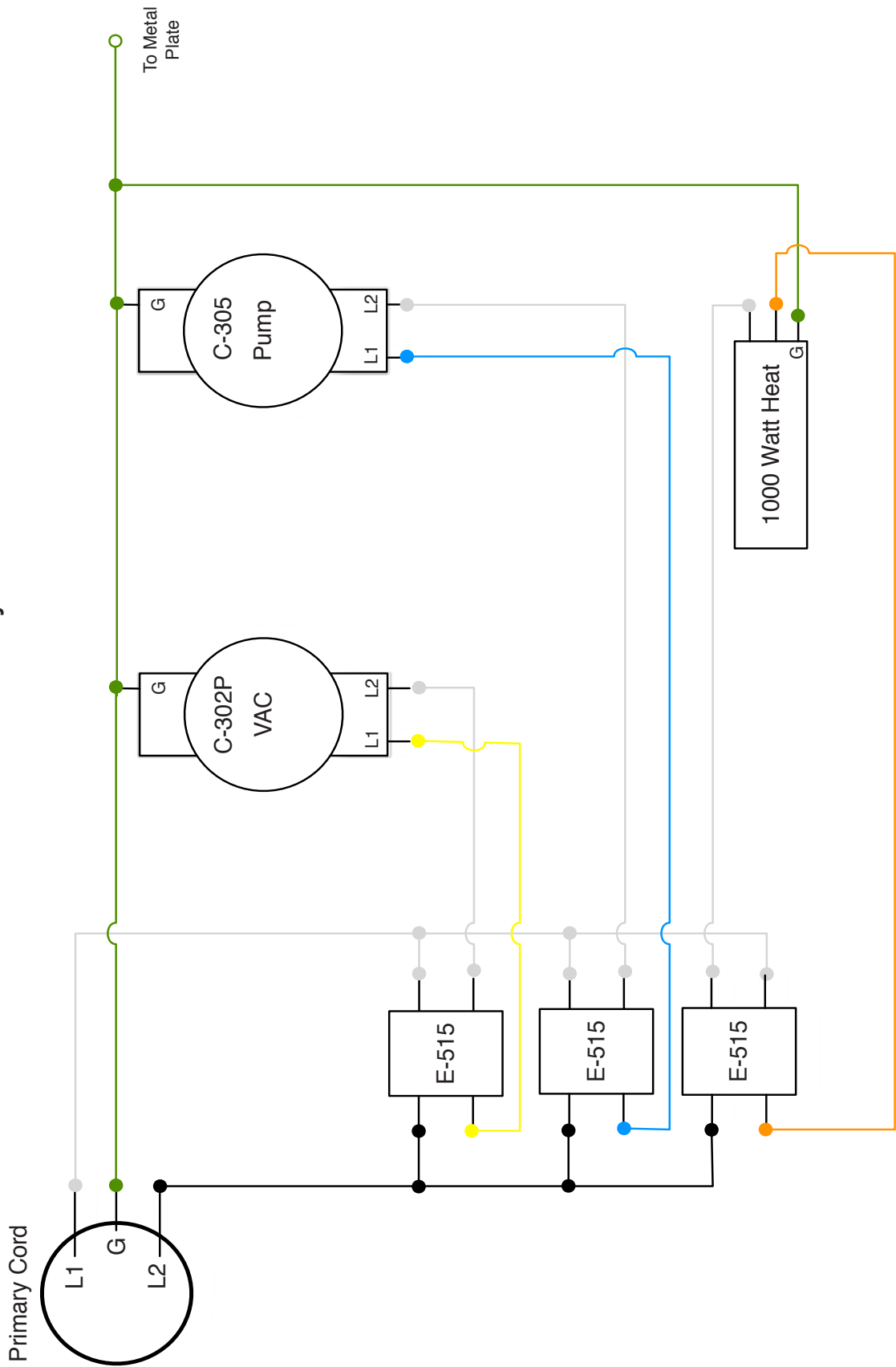
# 8070 MYTEE LITE™ PARTS & PRICING



NAME	DATE	MYTEE PRODUCTS, INC.
DRAWN	1/28/14	REV
CHECKED		C
COMMENTS:		F
TITLE		8070
MYTEE Lite		SCALE: 1:24
SHEET DWG. NO.		SHEET 2 OF 3

PROPERTY AND CONFIDENTIAL  
 THE INFORMATION CONTAINED HEREIN IS THE PROPERTY OF MYTEE PRODUCTS, INC. AND IS TO BE KEPT AS A WHOLE UNLESS THE WRITTEN PERMISSION OF MYTEE PRODUCTS, INC. IS OBTAINED.

8070  
115 Volt System



# NOTES



Mytee Products Inc.  
13655 Stowe Dr.  
Poway, CA 92064  
[www.mytee.com](http://www.mytee.com)

© 2016 Mytee Products Inc.  
Printed in the U.S.A.